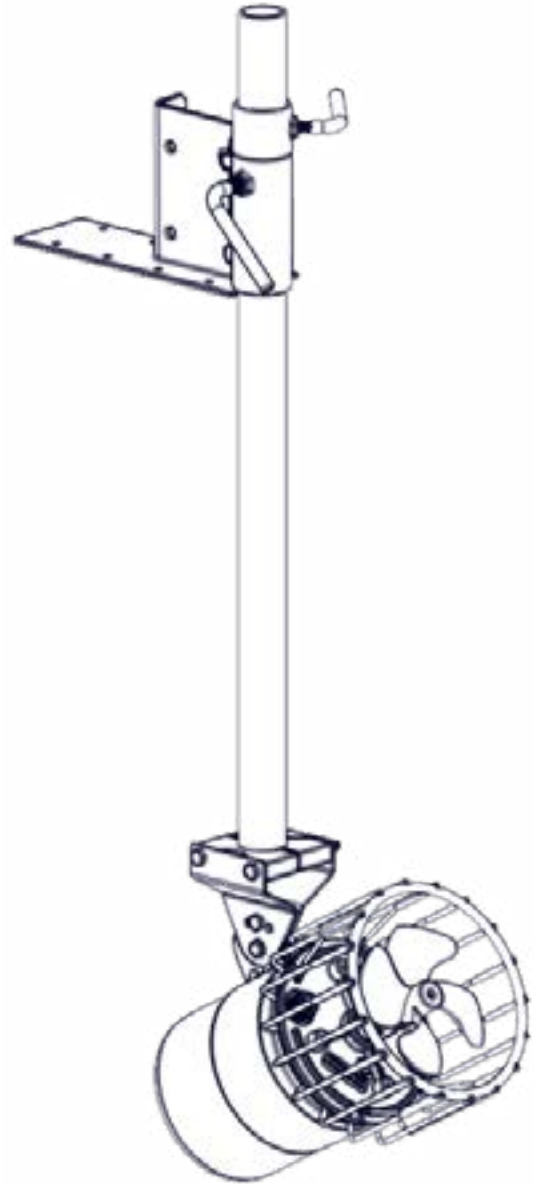




MOVING WATER FORWARD, SINCE 1968

INDUSTRIAL MOUNT

with Simple Swivel
Kit 243479



Assembly Manual



3020379
ANSI/UL 778: 2016
Ed.6+R:22Feb2017
CSA C22.2 #108: 2014 Ed.5

Document number 243477

Document version 2023.1.0

800 Deere Rd. Prescott, WI 54021 | 715.262.4488 | sales@kascomarine.com | kascomarine.com

TABLE OF CONTENTS

Suggested Tools & Supplies	1
Parts Included	2
Mounting Options.....	3
Mount Assembly Instructions	4
Adjustments and Storage	8

SUGGESTED TOOLS & SUPPLIES

- 1.5" (schedule 40 minimum) galvanized or stainless steel (1.9" outer diameter) pipe. Max 10' long. NOT INCLUDED.
- Eight 5/16" lag screws or bolts for mounting base (optional U-Bolt Kit available: P/N 997108K)
- 3/4" wrench
- 3/4" socket wrench
- 9/16" socket wrench
- 9/16" wrench



Installation may require the help of another person.

Installation may vary; the user is to supply the appropriate hardware to secure the mounting bracket to the dock or piling. Kasco suggests stainless steel.

QUESTIONS?



715.262.4488

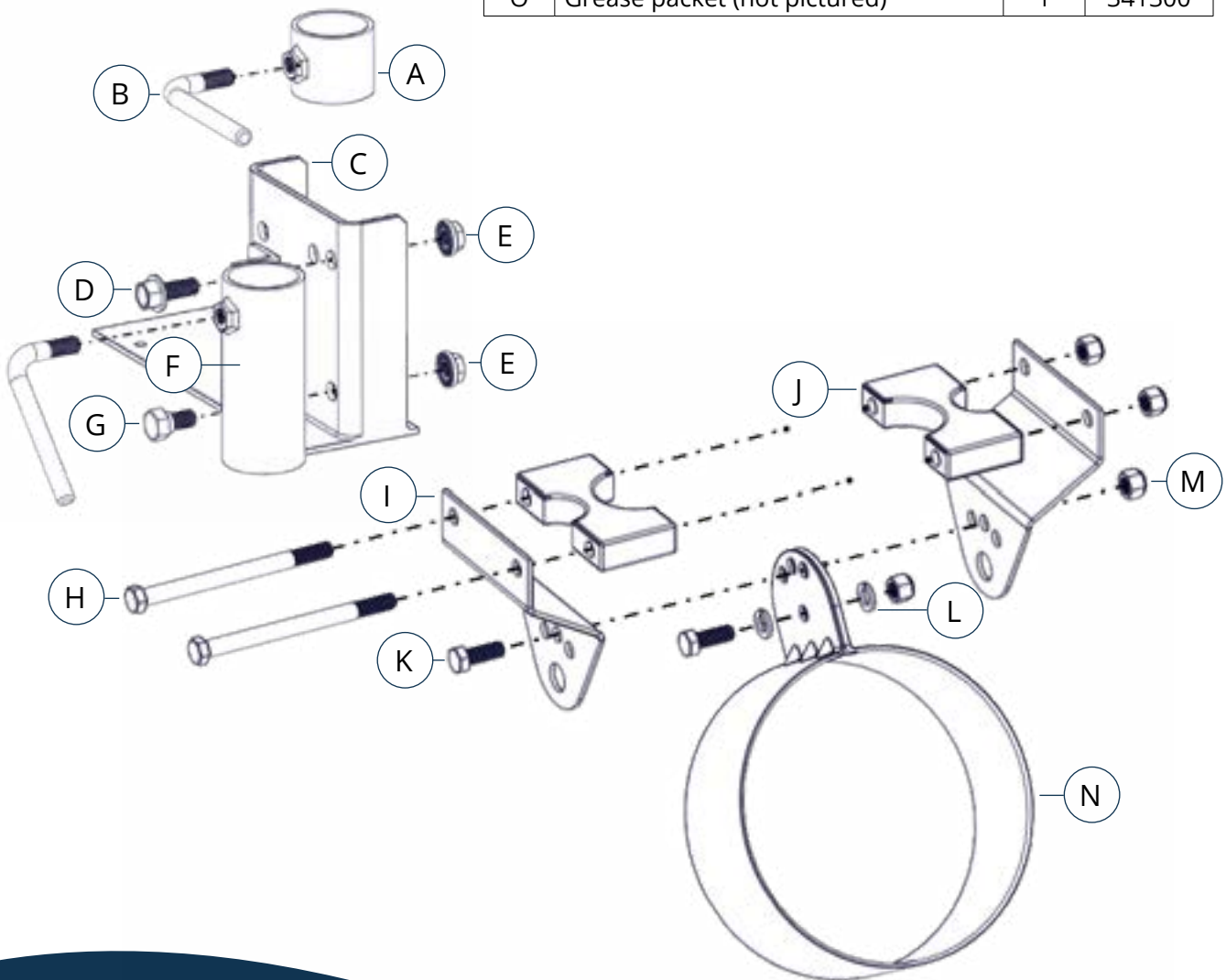


kascomarine.com | sales@kascomarine.com

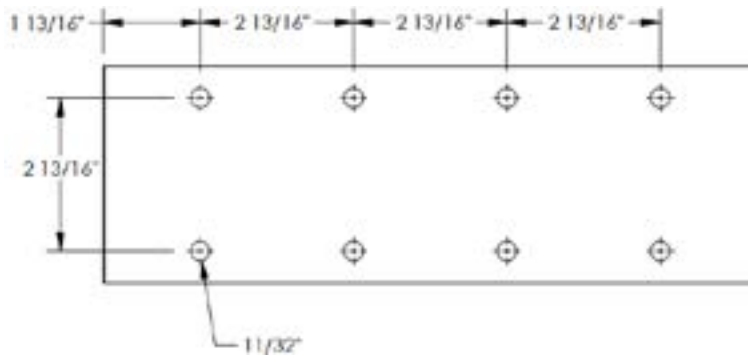
PARTS INCLUDED



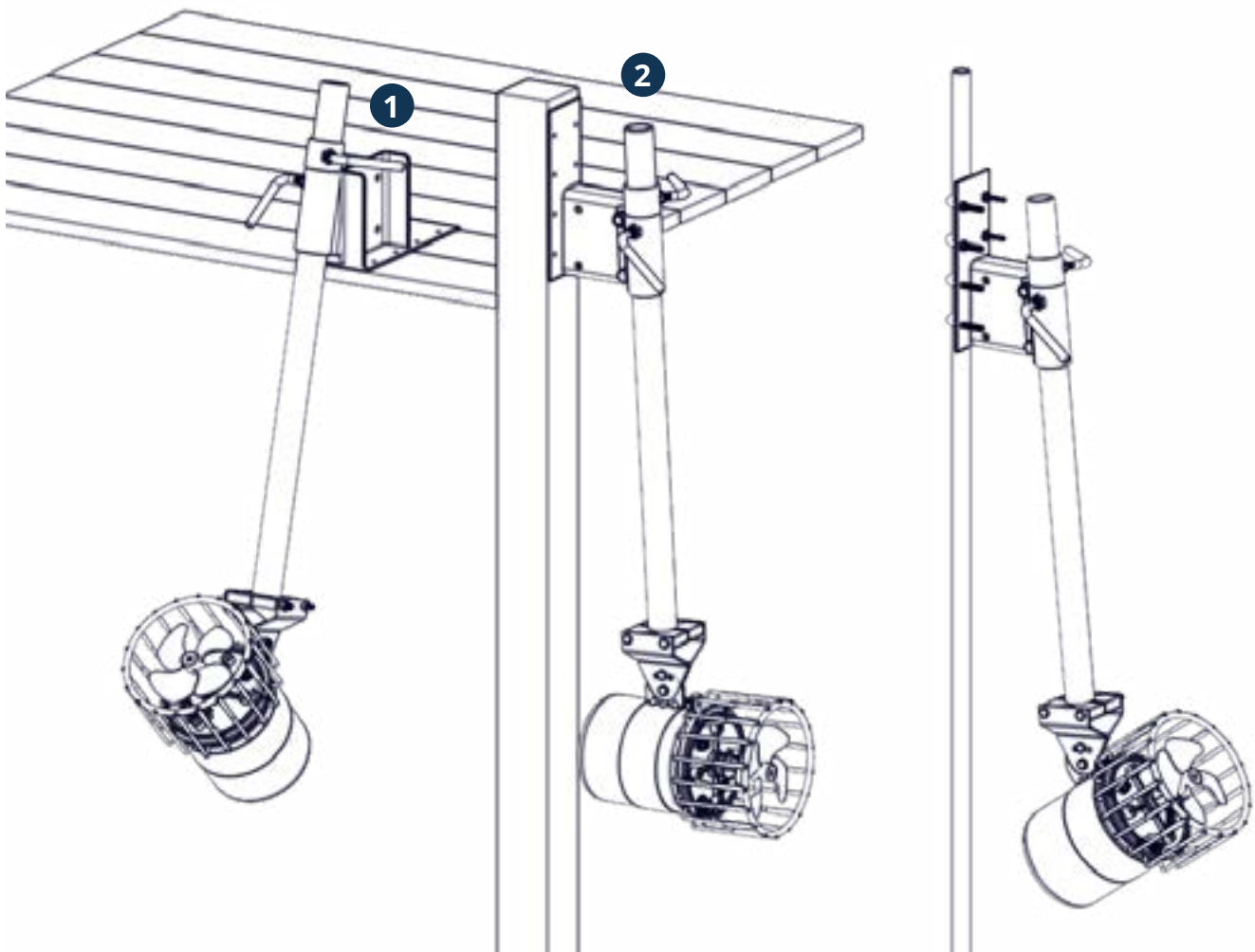
ID	Description	Qty	Part No.
A	Simple Swivel bracket	1	997113
B	Lock handle	2	997170
C	Base	1	997102
D	1/2"-13 x 1-1/4" serrated flange screw	1	840531
E	1/2"-13 serrated flange nut	2	840530
F	Pipe bracket, 1.5"	1	997117
G	Shoulder bolt	1	451114
H	3/8"-16 x 5" hex bolt	2	840140
I	Industrial strut plate	2	997176
J	Collar block	2	997172
K	3/8"-16 x 1" hex screw	2	566250
L	3/8" split lock washer	2	566230
M	3/8"-16 nylon locknut	4	462214
N	Can strap	1	997174
O	Grease packet (not pictured)	1	341300



MOUNTING OPTIONS



Base (C) hole location dimensions



Dock Mount

Mount the base horizontally on the dock (1) or vertically on a piling or other structure (2).

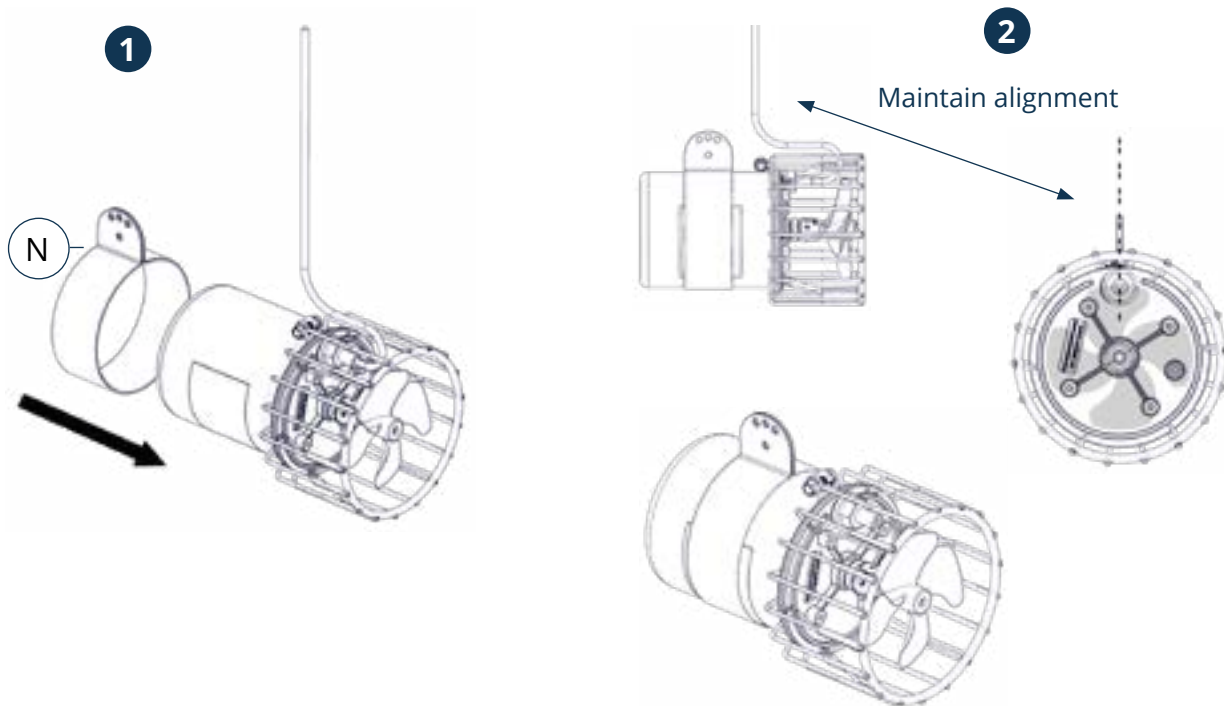
See page 6 for angling instructions.

Pipe Mount

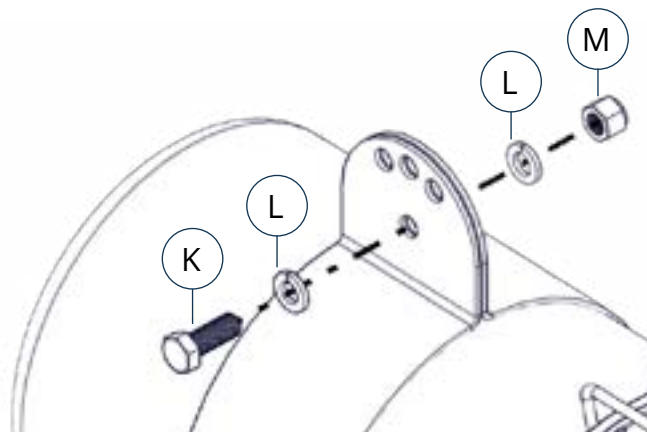
Shown with U-bolt kit PN 997108K (sold separately).

MOUNT ASSEMBLY INSTRUCTIONS

1. Slide the can strap (N) into position on the unit as shown below.
2. Position with a 2" distance from unit cage, ensuring the cord is in line with the can strap flanges.

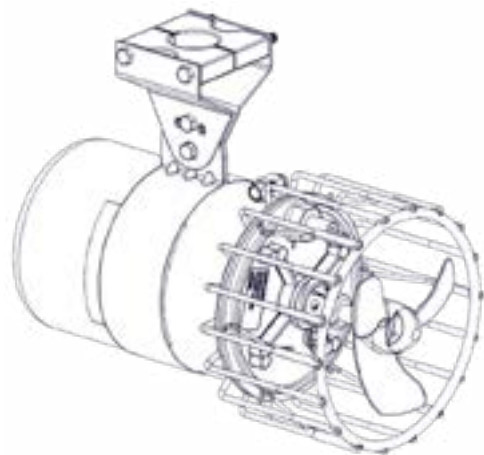
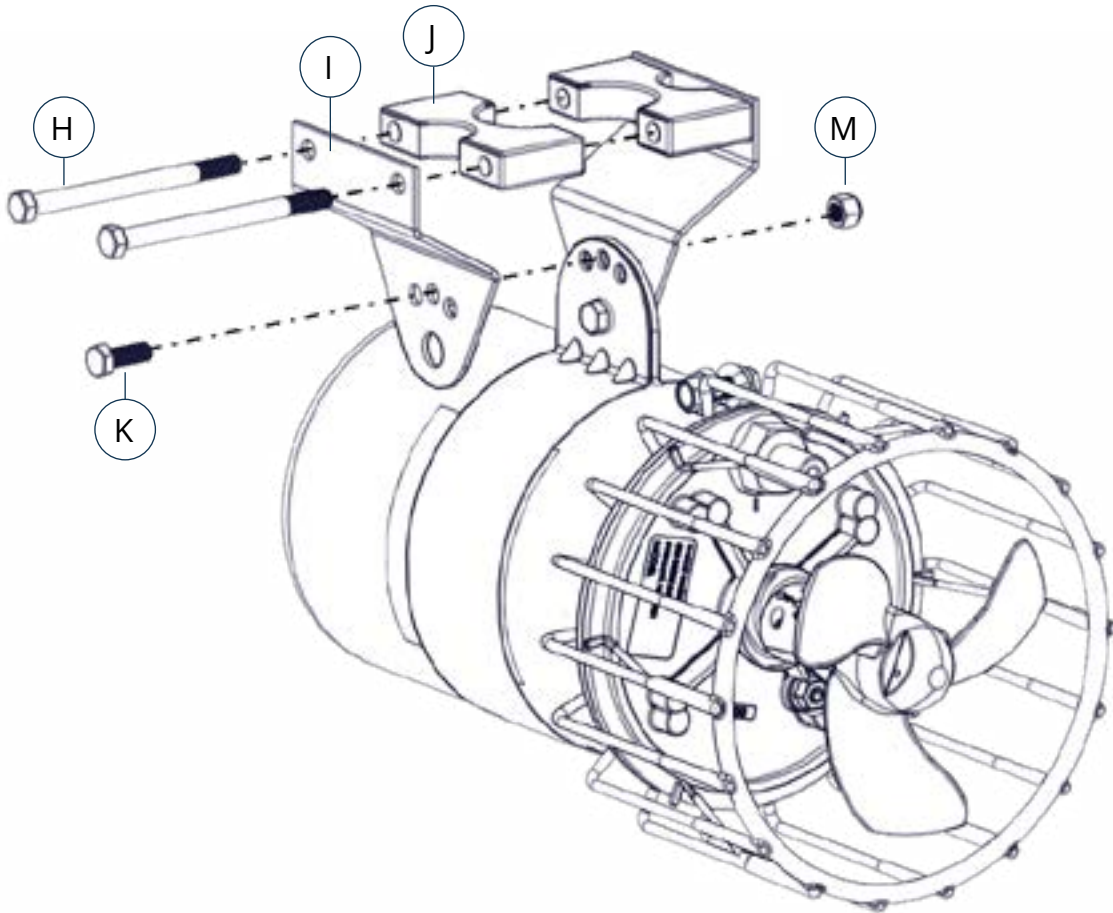


3. Secure the can strap using a 3/8" x 1" hex screw (K), two 3/8" split lock washers (L), and a 3/8" nylon locknut (M).



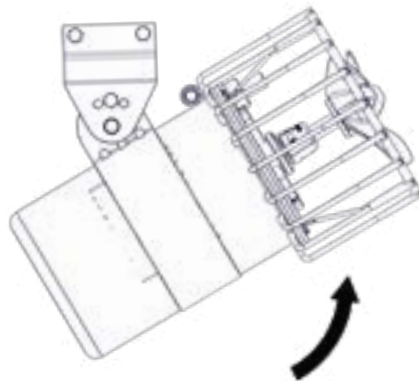
MOUNT ASSEMBLY INSTRUCTIONS (CONT.)

- Using both strut plates (I) on either side of the can strap flanges, sandwich the collar blocks (J) together with two 3/8"-16 x 5" hex bolts (H), being sure that the largest hole is formed for the pipe. Secure the struts to the can strap by tightening the 3/8"-16 x 1" hex screws (K) and 3/8"-16 nylon locknut (M).

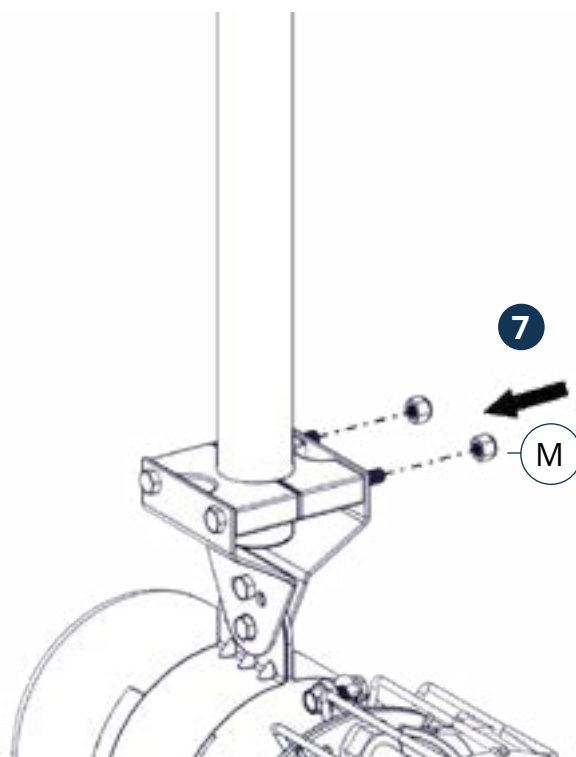
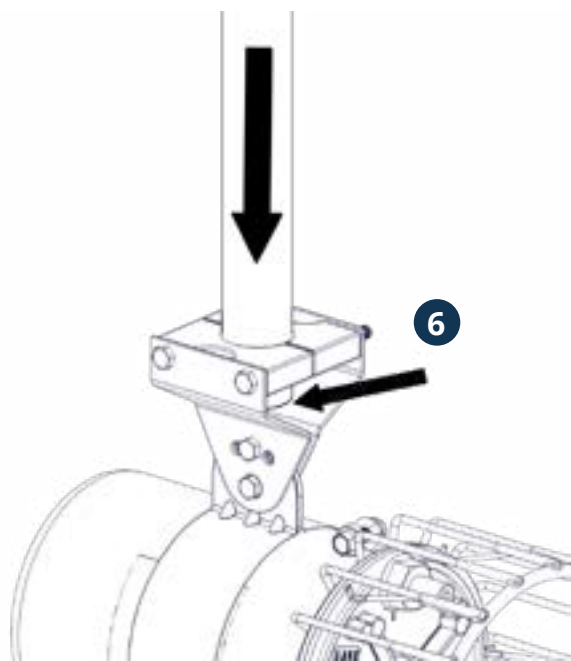


MOUNT ASSEMBLY INSTRUCTIONS (CONT.)

5. For de-icing applications, the unit is commonly angled up toward the water's surface by aligning the center hole on the plates with the hole closest to the cage on the can strap, as shown here.

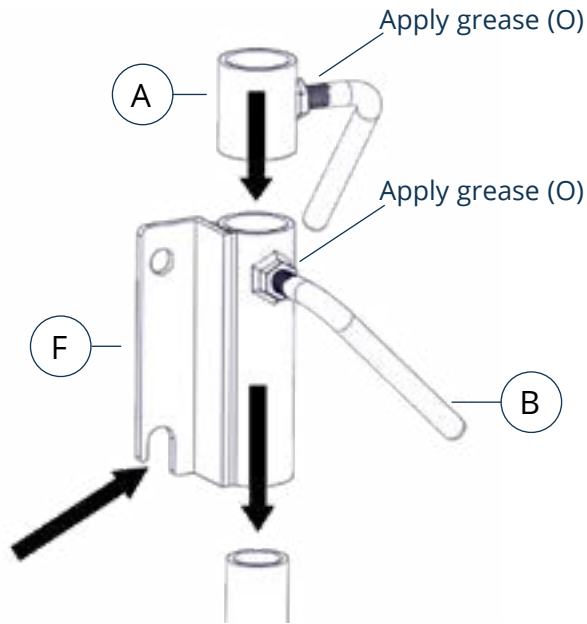


6. Insert the pipe fully, ensuring that the pipe end touches the strut plates.
7. Secure the pipe by adding two nylon locknuts (M) and tightening.

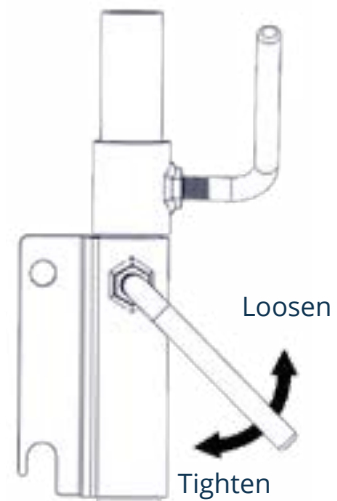
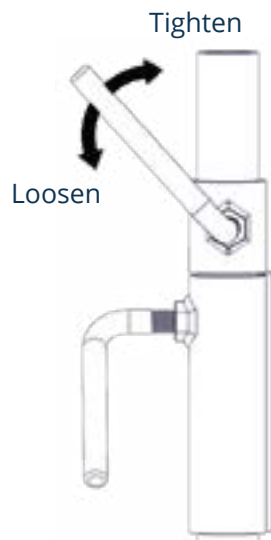


MOUNT ASSEMBLY INSTRUCTIONS (CONT.)

- Slide the pipe bracket (F) and the Simple Swivel bracket (A) over the pipe. Ensure that the notched end of the bracket is toward the unit end of the pipe. To prevent galling, apply a small amount of grease (O) to the threads of the lock handles (B) before tightening. Secure both brackets to the pipe by tightening the lock handles.

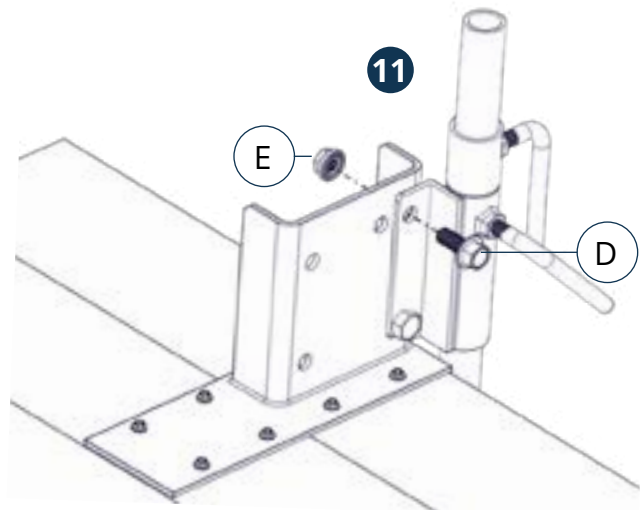
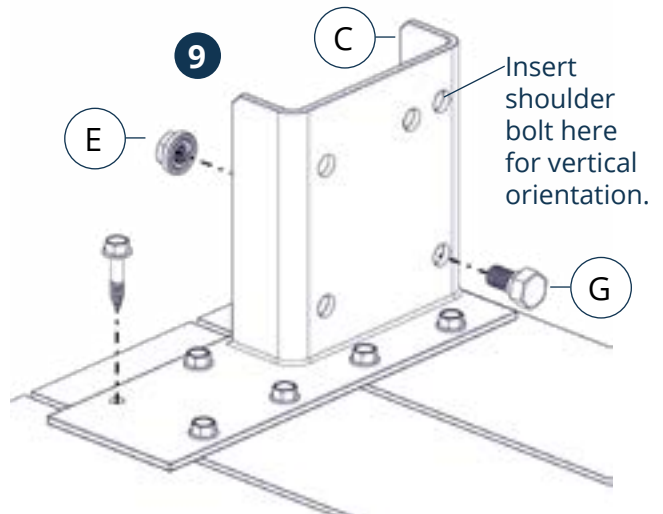
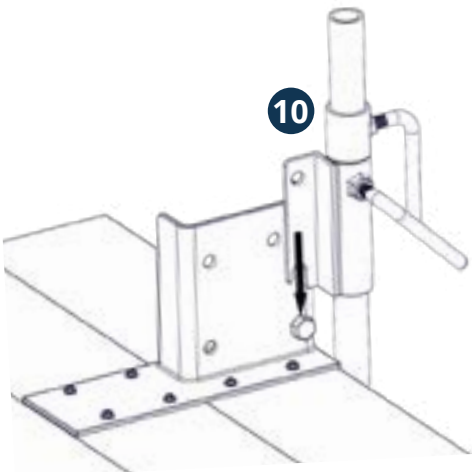


Turn clockwise to tighten lock handles.



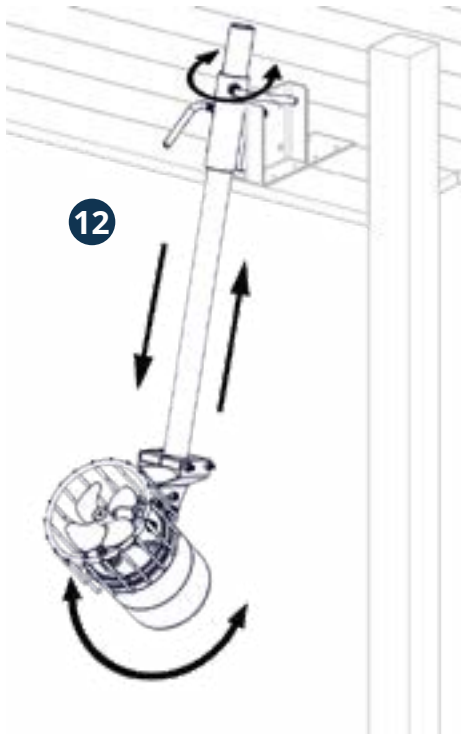
MOUNT ASSEMBLY INSTRUCTIONS (CONT.)

- Secure the base (C) in the manner appropriate for your intended installation (U-bolts, screws, etc., NOT included). Insert the shoulder bolt (G) and corresponding 1/2"-13 serrated flange nut (E) to the bottom hole location in the base as shown below.
- This step may require additional help. Once the hardware has been installed, lift the assembly into position, align the slot of the pipe bracket with the shoulder bolt, and lower the unit until it rests on the shoulder bolt.
- Install the 1/2" x 1-1/4" serrated flange screw (D) in the top position hole and secure with 1/2"-13 serrated flange nut (E).

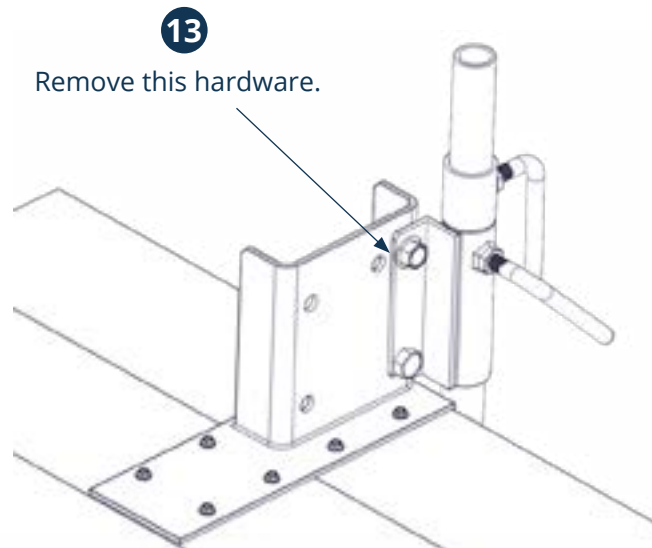


ADJUSTMENTS AND STORAGE

12. The unit can be adjusted up or down or swiveled left or right depending on the installation and location.
13. If you install the upper mount assembly horizontally (as pictured below), the unit can be pivoted up and out of the water for storage or unit maintenance by removing the top 1/2" x 1-1/2" hardware and pivoting the unit 90 degrees. For vertical or horizontal installations, the unit can be removed entirely from the mount by lifting the bracket off of the shoulder bolt.



Once you tighten the lock handle on the Simple Swivel, keep it locked. For maintenance or to oscillate the unit in the water, loosen the bottom lock handle. Use the top lock handle to adjust the unit's position, and be sure to re-tighten the bottom lock handle when you're done.



Maintenance and cleaning position.

