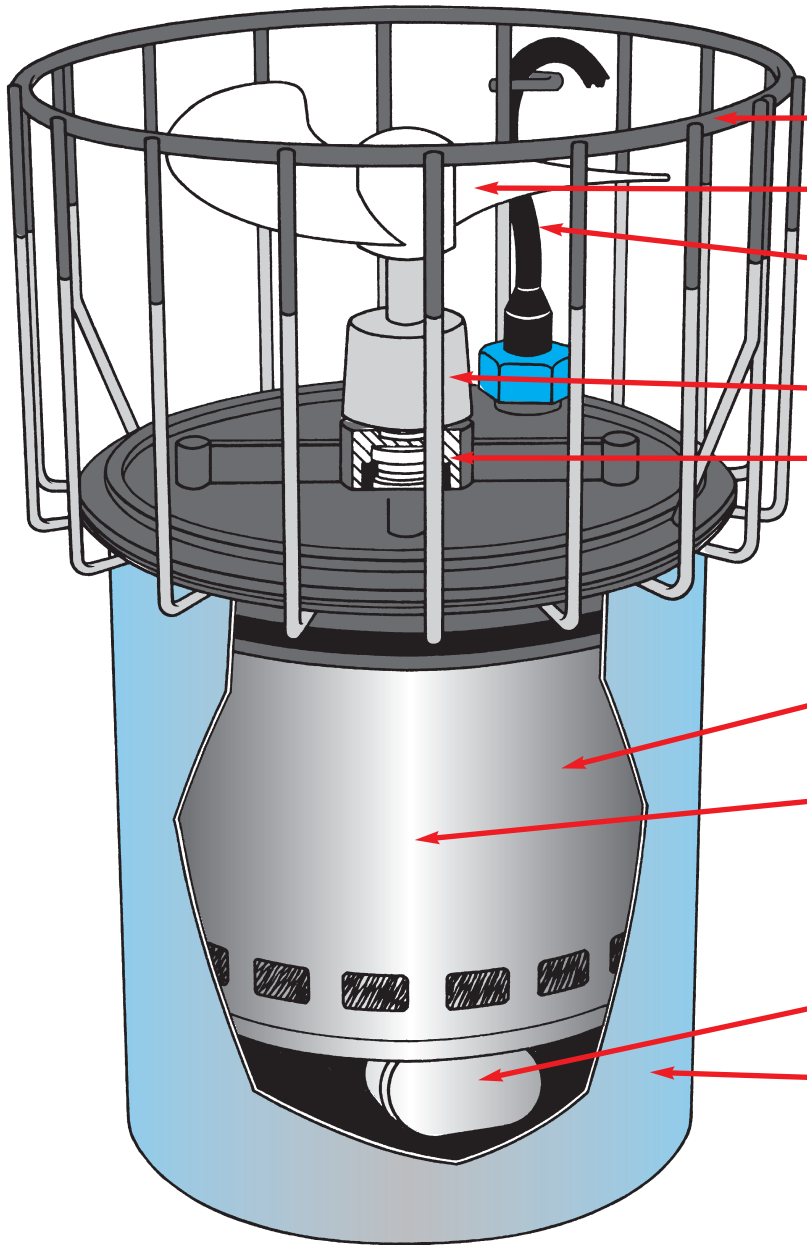


Featuring the very best in de-icer energy efficiency and durability... pioneered by Kasco® Marine.



2 YEAR LIMITED DE-ICER WARRANTY

SUSPENSION ROPES — hollow braided polypropylene. 20 feet x 5/16 inch, 2 lengths attached.

STAINLESS STEEL SAFETY CAGE — for propeller protection. Vinyl coated for easy handling.

PERFORMANCE PROPELLERS — specially pitched for maximum thrust and minimum power usage.

POWER CABLE — 25 foot water and oil resistant power cable with cold weather flexibility to -50°F. Exterior water-tight connection for easy on-the-spot replacement. Optional lengths are available.

ZINC ANODE — renewable anode for corrosion protection due to electrolysis.

SEALS — Kasco Dual-Sealed system. Hard face internal mechanical oil seal and outside lip seal for double protection against leaks.

SHAFT — #316 series stainless steel, approved for salt water use.

BEARINGS — ball type, top and bottom. Flood oil lubricated for excellent heat dissipation.

OIL — large capacity dielectric oil provides maintenance-free lifetime lubrication, maximum cooling and protection against failure due to moisture contamination.

MOTOR — custom designed, continuous duty 120V single phase, oil immersed and overloaded protected with fully automatic reset.

(240V 3/4 and 1 H.P. models are available by special order)
 F2400/D, 1/2 H.P. with 26 lbs. of thrust – 5.0 amps at 120V
 F3400/D, 3/4 H.P. with 34 lbs. of thrust – 6.7 amps at 120V
 4400/D, 1 H.P. with 52 lbs. of thrust – 11.2 amps at 120V

CAPACITOR — permanent split capacitor (PSC) insures quick high torque starts and smooth operation.

MOTOR HOUSING — corrosion-resistant stainless steel, a must for salt water operation.

Motor exceeds NEMA specifications

Shipping weight — F2400/D, 25 lbs.
 F3400/D, 35 lbs.
 4400/D, 40 lbs.

Overall dimensions — F2400/D, 9" x 11 1/2"
 F3400/D and 4400/D, 9" x 14"

Kasco Marine knows the relationship between quality, dependability and energy efficiency. That's why Kasco has de-icer water agitators in use all over the United States, Canada and Europe. Today's Kasco De-icers are the result of over 35 years of experience in the design and manufacture of superior water agitator equipment. Compare and you'll choose the best — Kasco De-icers.

The combination of the extremely energy efficient Kasco De-icer with the C-20 Time and Temperature Control gives the maximum energy conservation and lowest operating cost.