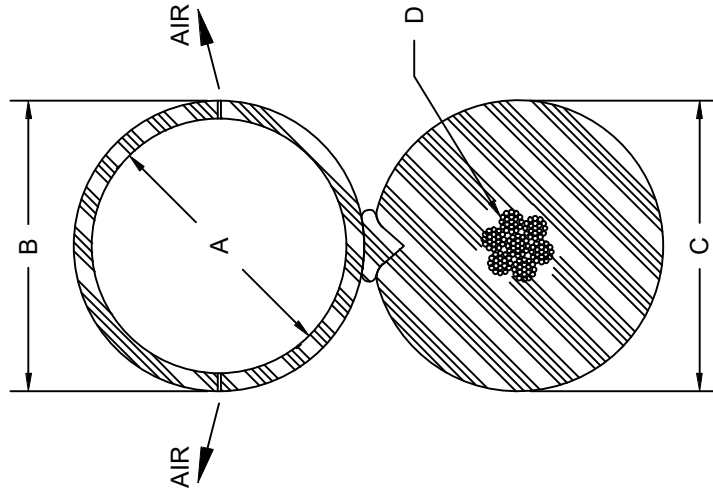


| CODE | TUYAU-BULLE® | DIMENSIONS | | | |
|---------|----------------------|------------------|------------------|------------------|----------------|
| | | D.I.TUBE | D.E.TUBE | D.E.BALLAST | CÂBLE D'ACIER* |
| BUB12NW | 1/2 (15MM) NON-LESTÉ | 0.575" (14.6 MM) | 0.700" (17.8 MM) | | |
| BUB12 | 1/2 (15MM) LESTÉ | 0.575" (14.6 MM) | 0.700" (17.8 MM) | 0.970" (24.6 MM) | |
| BUB34NW | 3/4 (20MM) NON-LESTÉ | 0.825" (21 MM) | 1.013" (25.7 MM) | | |
| BUB34 | 3/4 (20MM) LESTÉ | 0.825" (21 MM) | 1.013" (25.7 MM) | 1.170" (29.7 MM) | 1/4" (6.4 MM) |
| BUB1.0 | 1" (25MM) LESTÉ | 1.075" (27.3 MM) | 1.2" (30.5 MM) | 1.550" (39.4 MM) | 1/4" (6.4 MM) |
| BUB1.25 | 1-1/4 (30MM) | 1.325" (33.7 MM) | 1.513" (38.4 MM) | 1.550" (39.4 MM) | 1/4" (6.4 MM) |

*7-19 TORON TRESSÉ (NOX. 316)

| CODE | TUYAU-BULLE® | PRESSION | | POIDS |
|---------|----------------------|------------------|------------------|------------------------|
| | | MIN. | MAX.** | |
| BUB12NW | 1/2 (15MM) NON-LESTÉ | 20 PSI (1.4 BAR) | 50 PSI (3.4 BAR) | 0.1 lb/ft (0.15 kg/m) |
| BUB12 | 1/2 (15MM) LESTÉ | 20 PSI (1.4 BAR) | 50 PSI (3.4 BAR) | 0.6 lb/ft (0.9 kg/m) |
| BUB34NW | 3/4 (20MM) NON-LESTÉ | 20 PSI (1.4 BAR) | 70 PSI (4.8 BAR) | 0.2 lb/ft (0.30 kg/m) |
| BUB34 | 3/4 (20MM) LESTÉ | 20 PSI (1.4 BAR) | 70 PSI (4.8 BAR) | 1.0 lb/ft (1.5 kg/m) |
| BUB1.0 | 1" (25MM) LESTÉ | 20 PSI (1.4 BAR) | 70 PSI (4.8 BAR) | 1.65 lb/ft (2.45 kg/m) |
| BUB1.25 | 1-1/4 (30MM) | 20 PSI (1.4 BAR) | 70 PSI (4.8 BAR) | 1.70 lb/ft (2.52 kg/m) |

**LECTURE MAXIMALE DE RETOUR DE PRESSION À NE PAS DÉPASSER DURANT L'OPERATION



Canadiampond.ca
Etang.ca

DESIGNÉ PAR / DRAWN BY: D. MARTIN
DATE: 28-06-2017
APPROUVÉ PAR / APPROVED BY: M. PARIIS
513 KNOXWILTON ROAD, KNOXWILTON, QUÉBEC, JOE 1W0. TEL: 450-243-0976, FAX: 450-243-1834

TOUTE INFORMATION CONTENUE DANS CE DOCUMENT EST LA PROPRIÉTÉ EXCLUSIVE DE PRODUITS ETANG.CA LTÉE. TOUTE REPRODUCTION PARTIELLE OU ENTIÈRE EST STRICTEMENT INTERDITE SANS AU PRÉALABLE AVOIR REÇU L'AUTORISATION ÉCRITE DE PRODUITS ETANG.CA LTÉE.
ALL INFORMATION CONTAINED IN THIS DOCUMENT IS PROPRIETARY TO CANADIAN POND.CA PRODUCTS LTD. DUPLICATION OR TRANSMITTAL OF THIS DOCUMENT IS STRICTLY PROHIBITED WITHOUT THE WRITTEN CONSENT OF CANADIANPOND.CA PRODUCTS LTD.

Tuyau Bulle®

TITRE / TITLE: